

The logo features the letters 'ICP' in a bold, white, stylized font. The 'I' and 'C' are connected, and the 'P' has a distinctive shape. To the right of 'ICP' is the word 'Home' in a clean, white, sans-serif font. Below 'ICP Home' is the text 'USER MANUAL' in a smaller, white, all-caps, sans-serif font. The entire logo is centered on a dark gray background with abstract, light gray, organic shapes.

**ICP** Home  
USER MANUAL



ICP

ICP  
MADE IN ITALY



## **CONTENTS**

ICP Home Safety Instructions  
About ICP Home  
Specifications  
Parts Overview  
Assembly Steps  
Step 1 - Base Assembly  
Step 2 - Kicker Assembly  
Wall Angle Adjustment  
Safety Matting  
Warranty Information



## **SAFETY INSTRUCTIONS (READ FIRST)**

The maximum number of people on the wall at one time is 1.  
ICP Home wall should be installed indoors and protected from direct water exposure.  
Wall to be cleaned using a damp cloth, at no time should a water jet be used.  
Adult Supervision required for children using the ICP Home wall.  
Ensure your impact intenuation system (safety matting) sufficiently covers all fall zones,  
has no gaps and no uneven surfaces.

### **Assembly Safety Instructions:**

- Assembly people : 2-3.
- Personal protective equipment needed:
  - Enclosed shoes
  - Eye protection
  - Gloves
- Heavy parts require safe lifting techniques.
- Working at height with a ladder is required for a portion of this installation.



## **ABOUT ICP HOME**

The ICP Home is a climbing gym in your own home and you can climb day or night. Create your own climbs or add one of the many training board options available in the ICP Store. Best of all, the wall is self supporting, has a variety of angles and easy to maintain. Climb anytime on your ICP Home.

This guide assists in assembly and understanding all the features the ICP Home has to offer. You can also find further information about the ICP Home on our website [www.climbicp.com.au](http://www.climbicp.com.au).

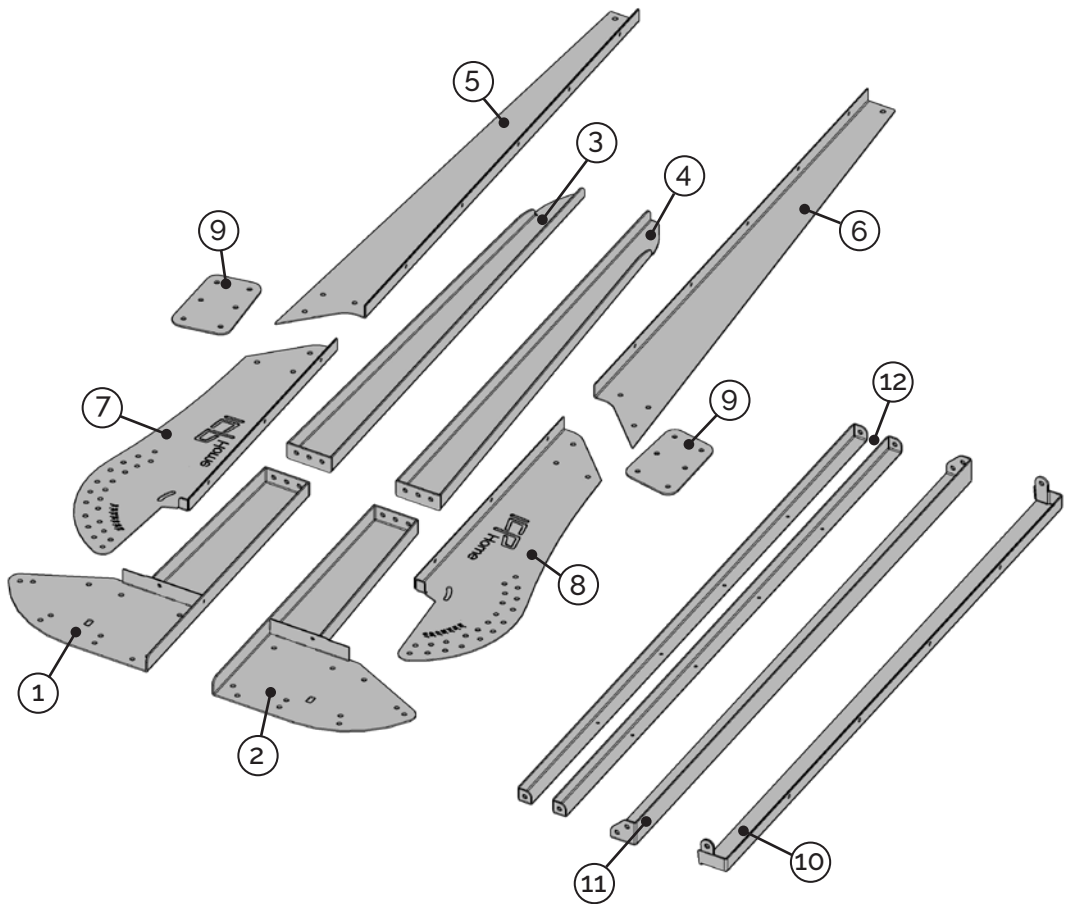


[my.climbicp.com.au](http://my.climbicp.com.au)

# SPECIFICATIONS

## ICP Home Model Features:

- Self Supporting Frame
- 2.4 m wide and 3.2 m long climbable surface.
- Climbing angle viewport.
- Climbing angle range: 20 - 50 degrees.
- Weight approx. 380 kg.
- Height Range: 2.37 m - 3.23 m
- LED kit compatible.
- Training holds compatible (Kilter, Tension, Moon)
- T-nut size: M10
- Hold capacity: 324
- Varnished 18 mm Birch wood panels.
- Kicker height: 300 mm



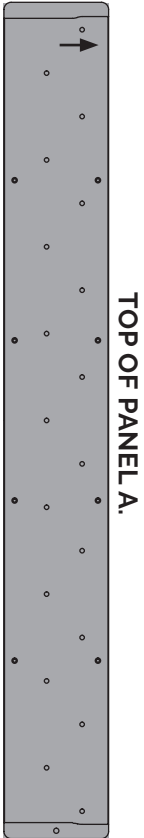
**STEEL PARTS**

- 1. Base Plate Left
- 2. Base Plate Right
- 3. Support Leg Left
- 4. Support Leg Right
- 5. Upper Column Left
- 6. Upper Column Right
- 7. Lower Column Left
- 8. Lower Column Right
- 9. Column Join Plate x2
- 10. Top Beam
- 11. Base Beam
- 12. Kicker Beam x2

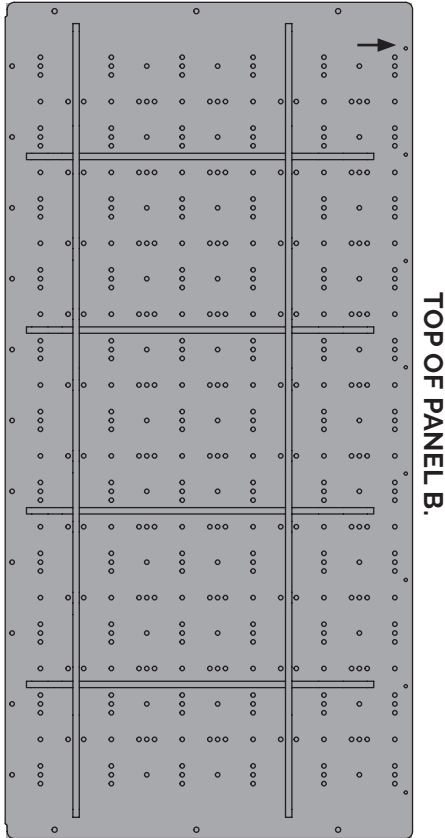
## PANEL PARTS (Order of Assembly Reference)

See Below order and direction of wall panels.

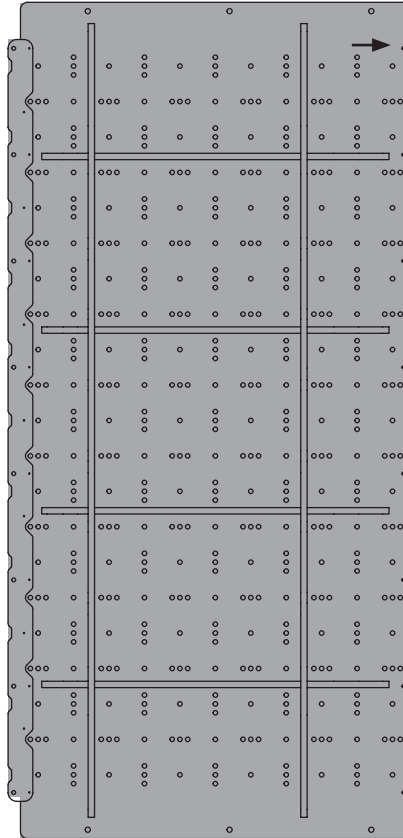
A. Kicker Panel



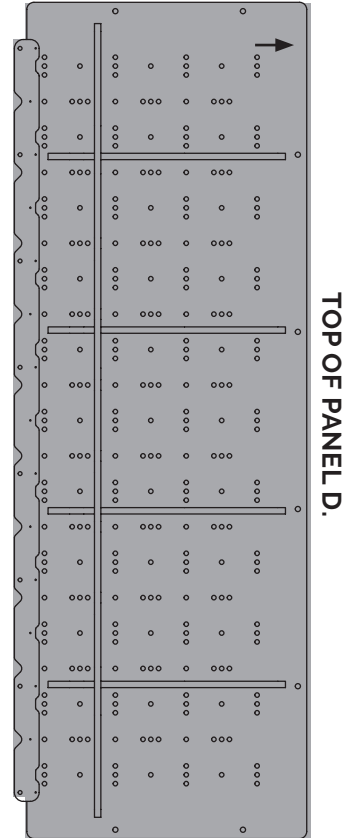
B. Lower Panel



C. Middle Panel



D. Upper Panel





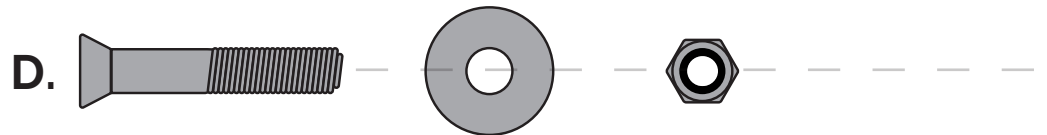
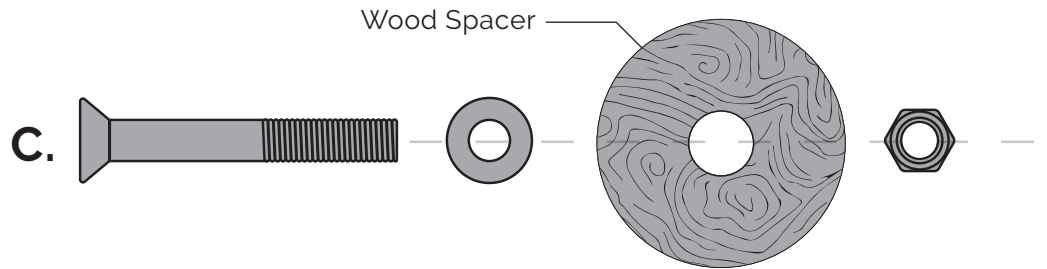
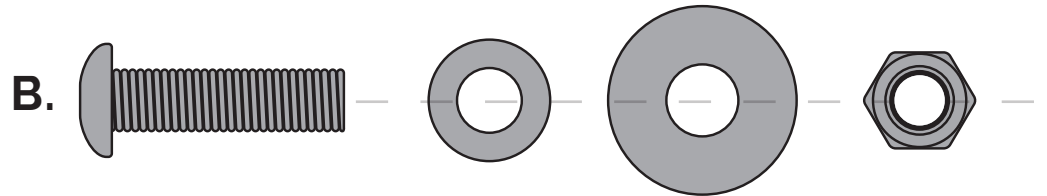
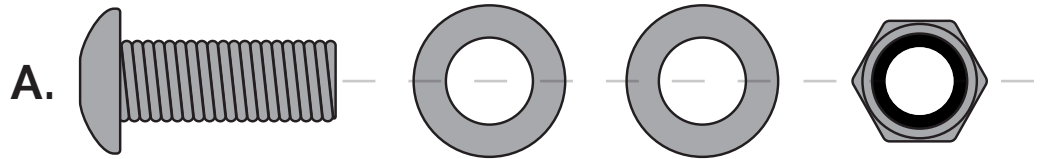
## FIXING SETS

36 x A. Steel Bolt

22 x B. Panel to Steel Bolt

08 x C. Kicker Bolt

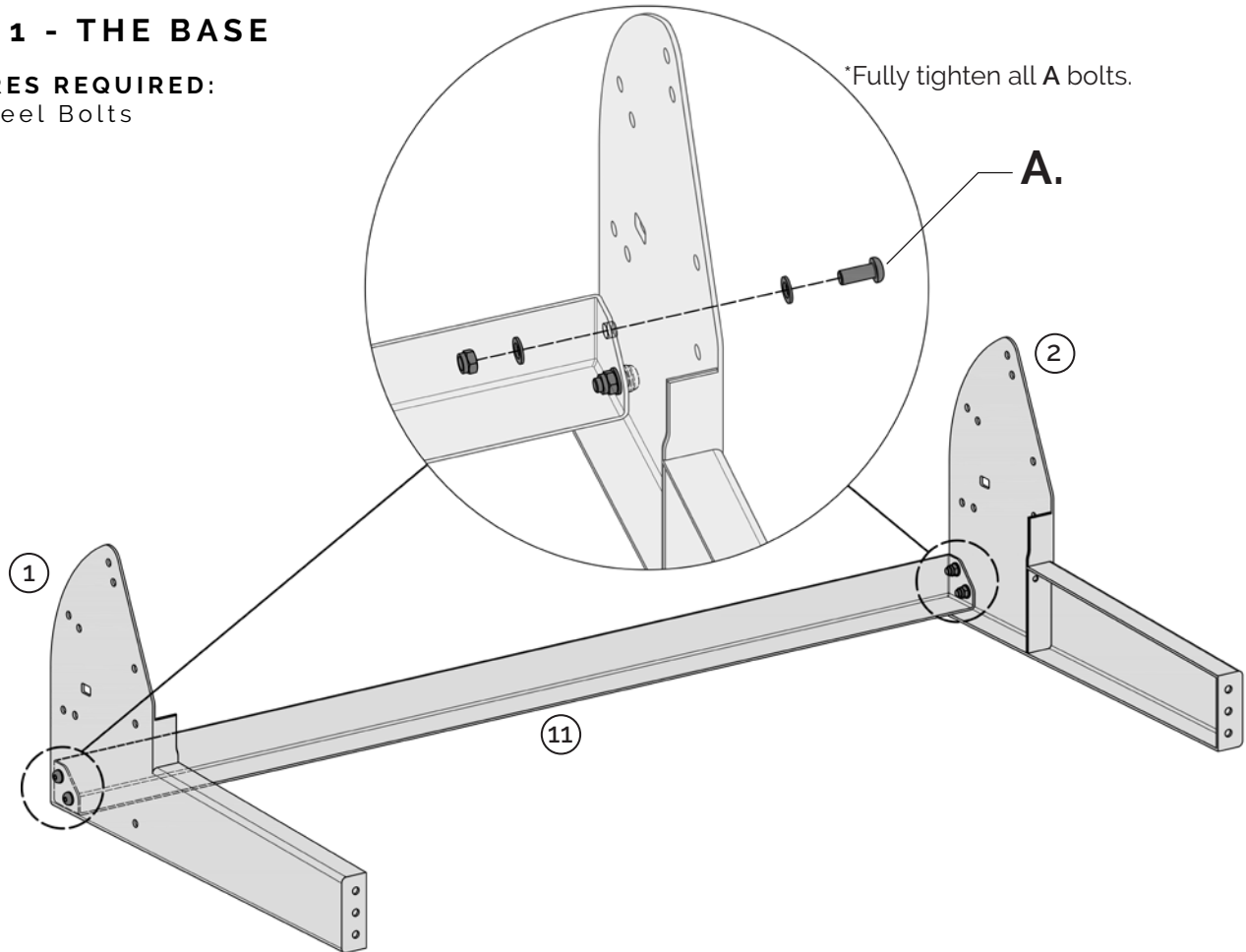
16 x D. Panel Bolt



## STEP 1 - THE BASE

### FIXTURES REQUIRED:

4x A.Steel Bolts

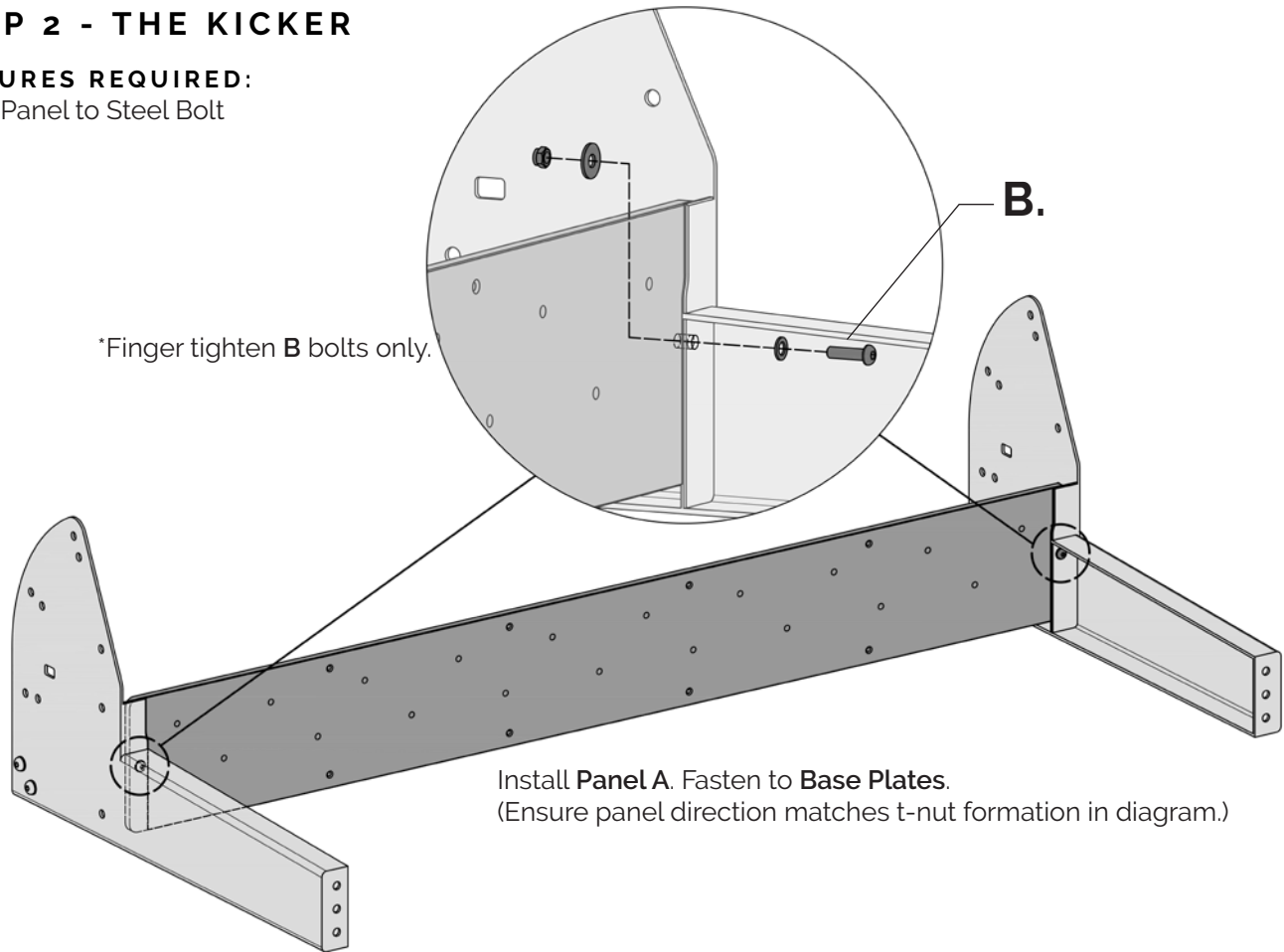


## STEP 2 - THE KICKER

### FIXTURES REQUIRED:

2x B. Panel to Steel Bolt

\*Finger tighten **B** bolts only.



Install **Panel A**. Fasten to **Base Plates**.  
(Ensure panel direction matches t-nut formation in diagram.)

## STEP 3 - THE KICKER CONTINUED

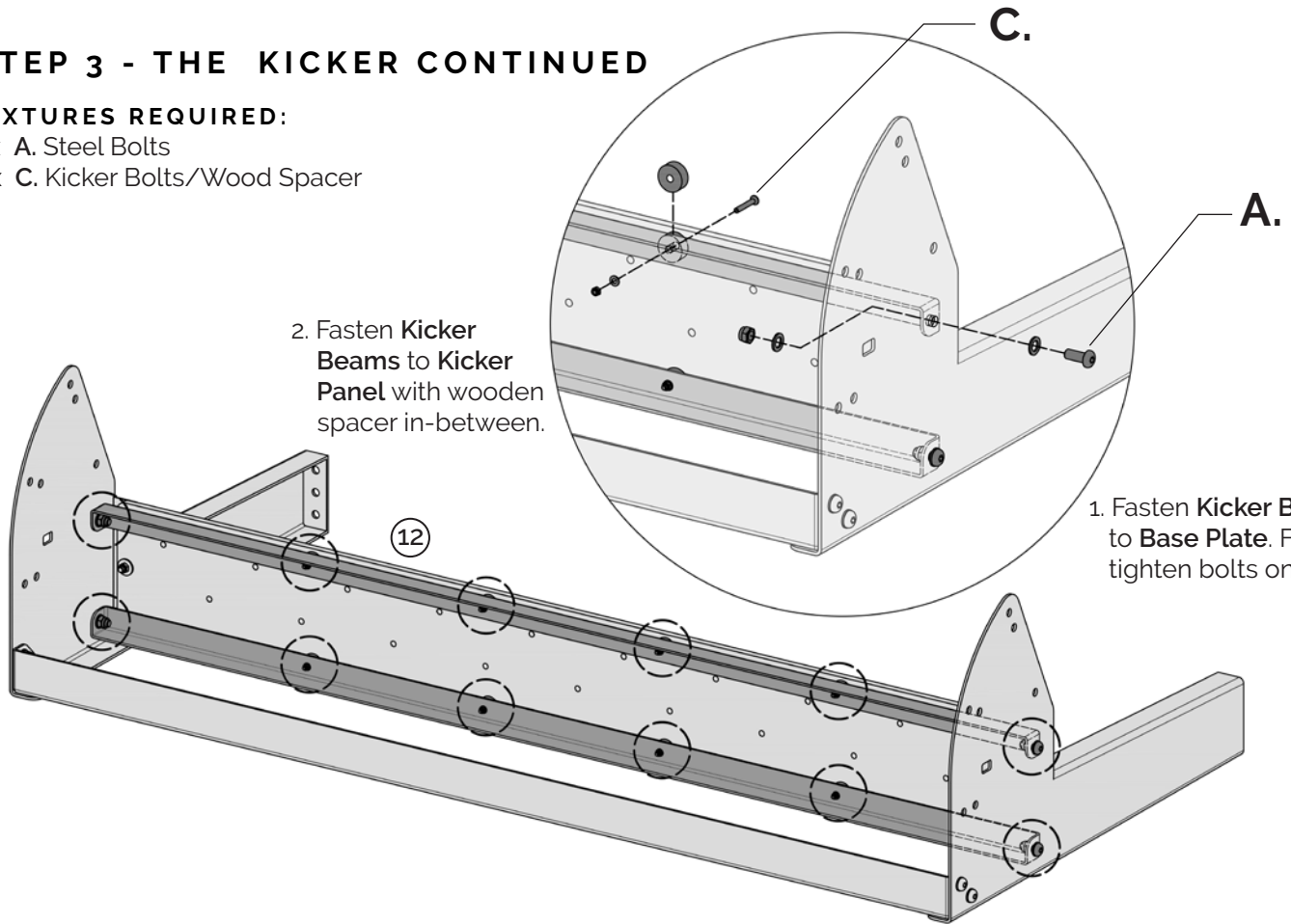
### FIXTURES REQUIRED:

4x A. Steel Bolts

8x C. Kicker Bolts/Wood Spacer

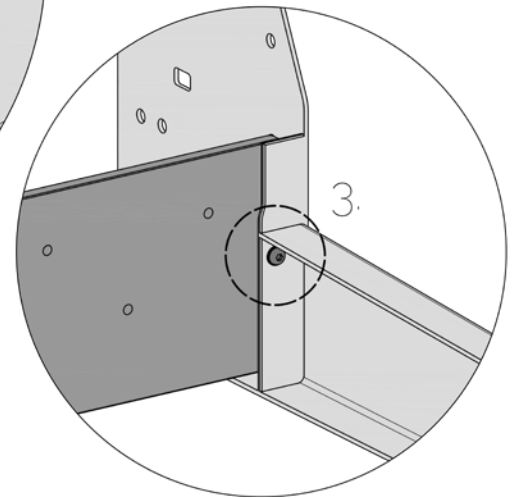
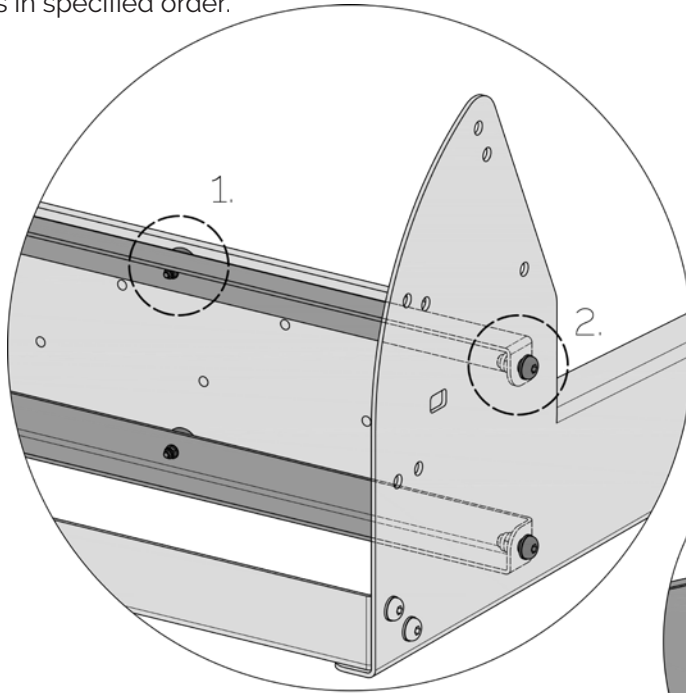
2. Fasten Kicker Beams to Kicker Panel with wooden spacer in-between.

1. Fasten Kicker Beams to Base Plate. Finger tighten bolts only.



## STEP 4 - THE KICKER CONTINUED

\*Fully tighten all bolts in specified order.

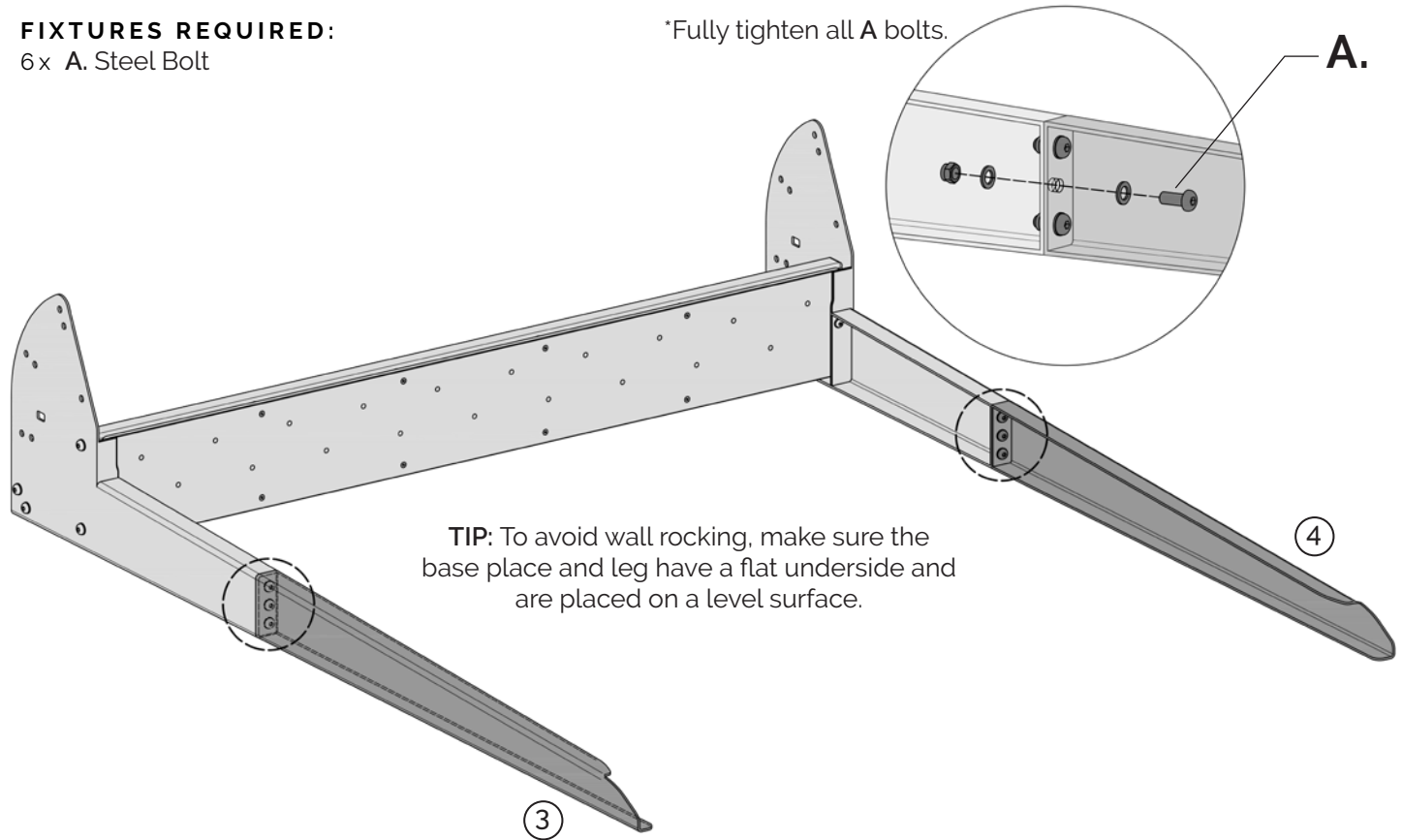


## STEP 5 - THE LEGS

### FIXTURES REQUIRED:

6x A. Steel Bolt

\*Fully tighten all A bolts.



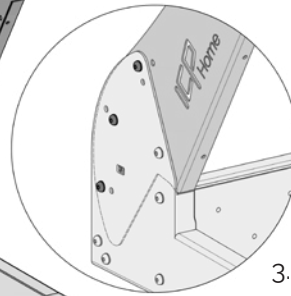
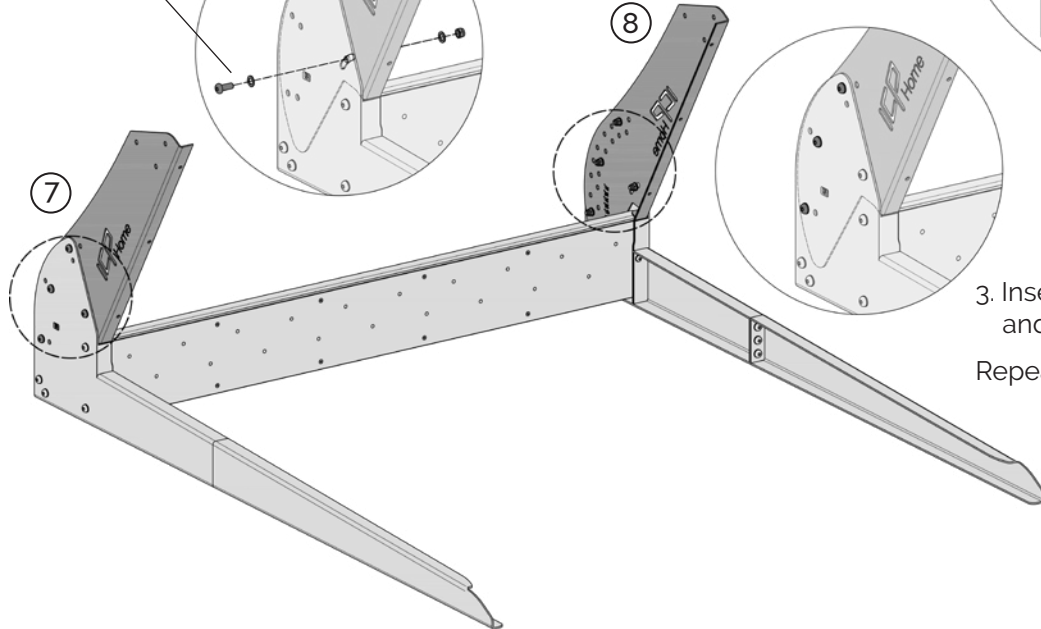
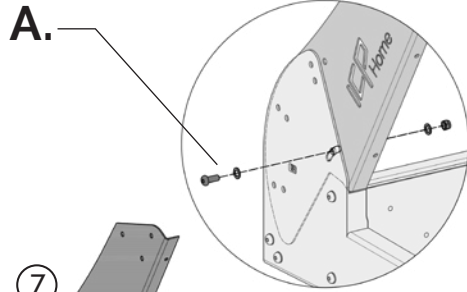
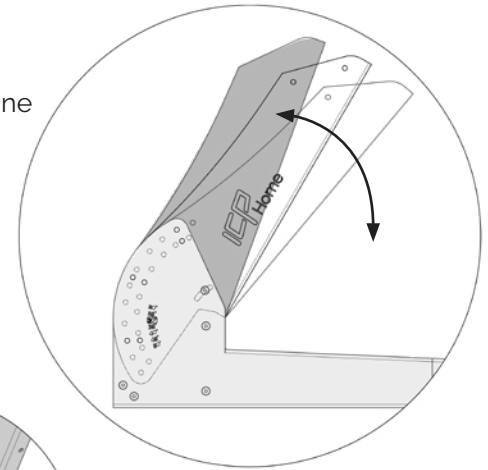
## STEP 6 - FIXING THE ANGLES

### FIXTURES REQUIRED:

8 x A. Steel Bolt

1. Insert 1x Steel bolt to pivot lower column angle.

2. Choose angle and line up bolt holes.



3. Insert 3x remaining bolts and fully tighten all 4 fixtures.

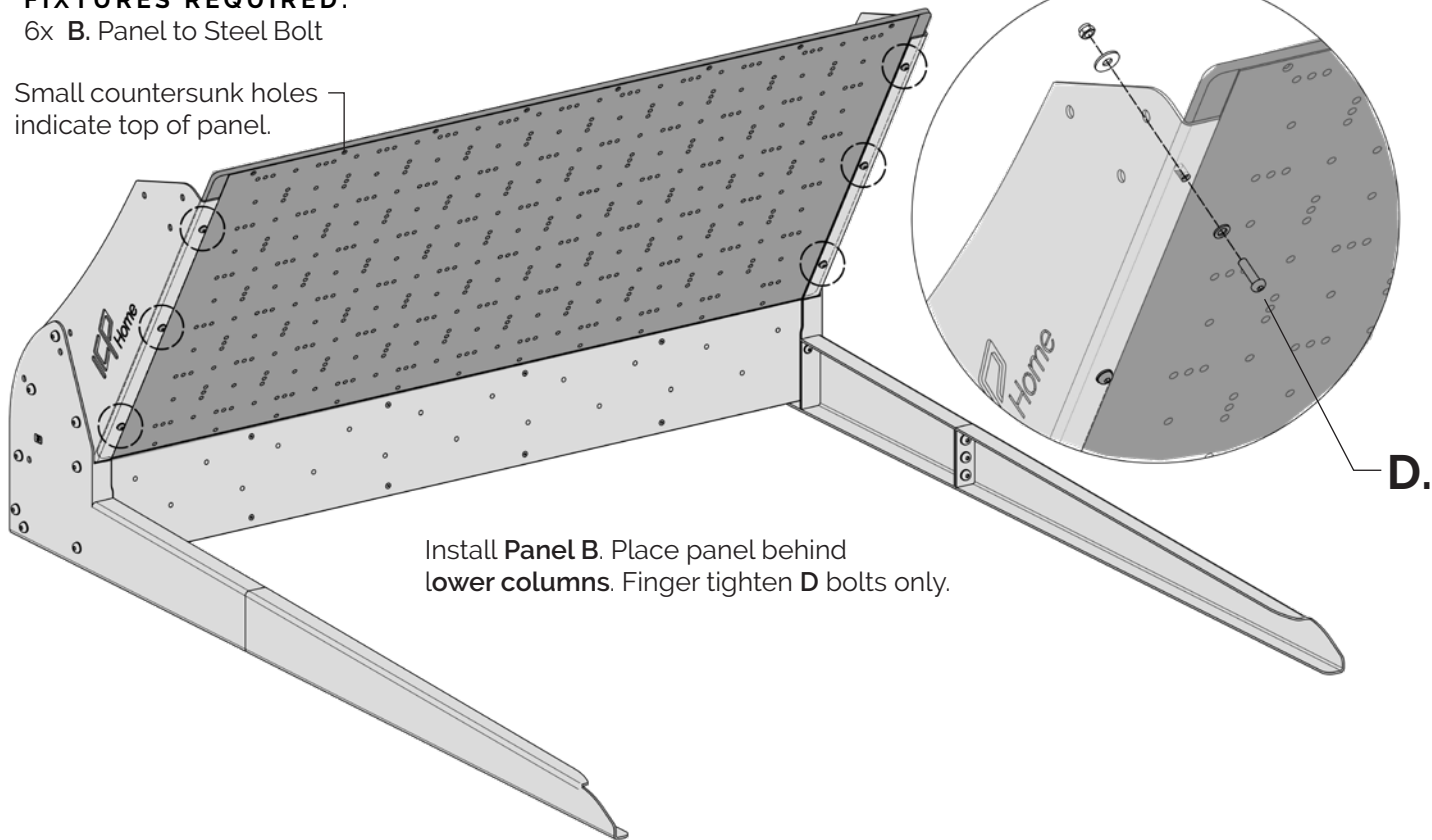
Repeat process on opposite side.

## STEP 7 - THE LOWER PANEL

### FIXTURES REQUIRED:

6x B. Panel to Steel Bolt

Small countersunk holes indicate top of panel.



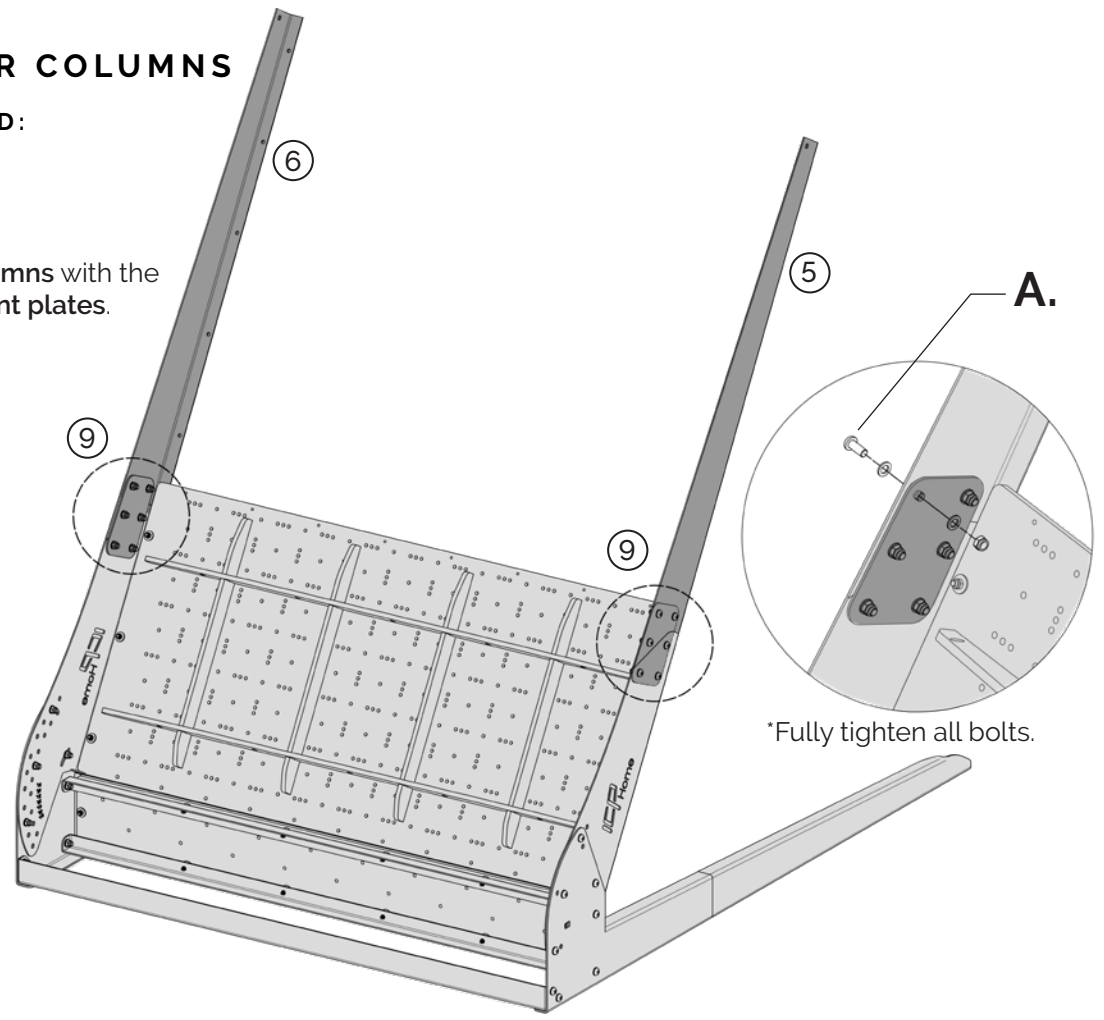


## STEP 8 - UPPER COLUMNS

### FIXTURES REQUIRED:

12x A. Steel Bolt

Attach Columns with the  
Column Joint plates.



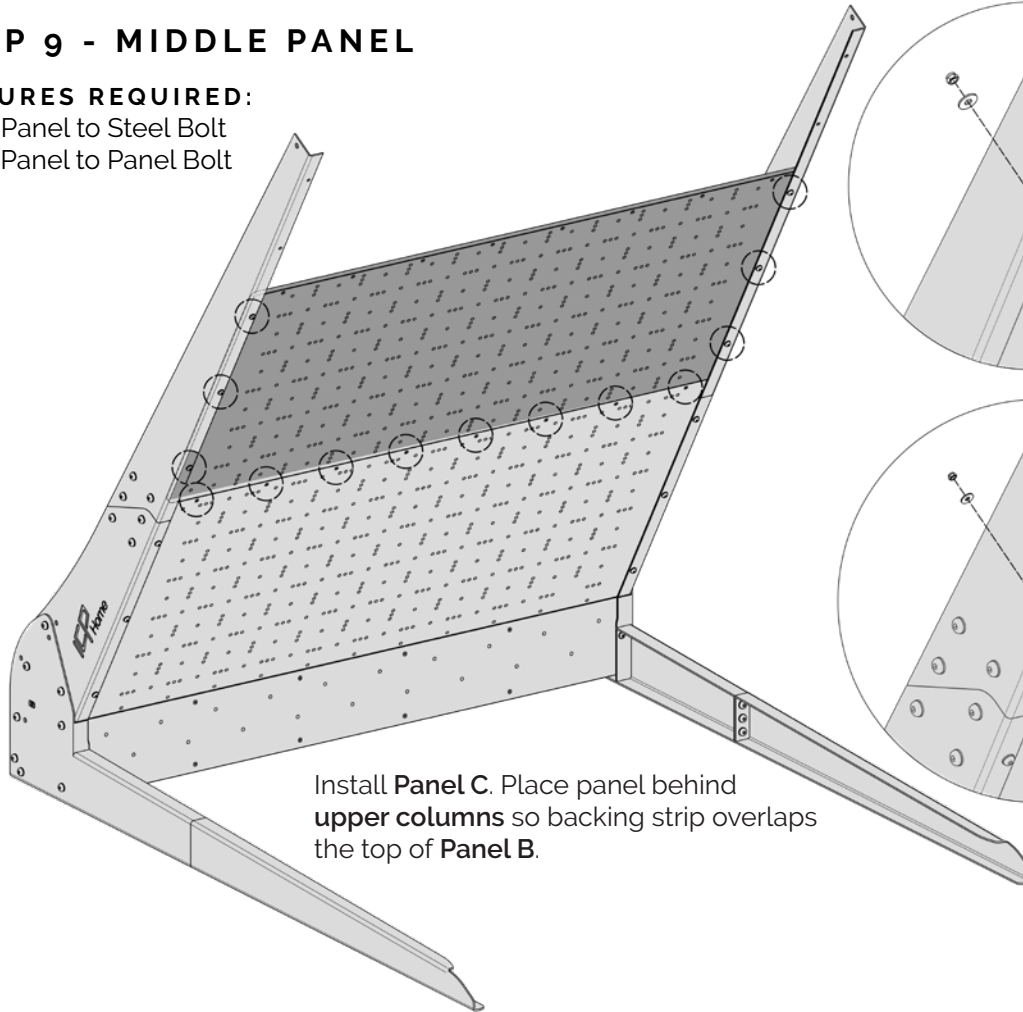
\*Fully tighten all bolts.

## STEP 9 - MIDDLE PANEL

### FIXTURES REQUIRED:

6x **B.** Panel to Steel Bolt

7x **D.** Panel to Panel Bolt



\*Finger tighten **B** bolts only.

Install **Panel C.** Place panel behind **upper columns** so backing strip overlaps the top of **Panel B.**

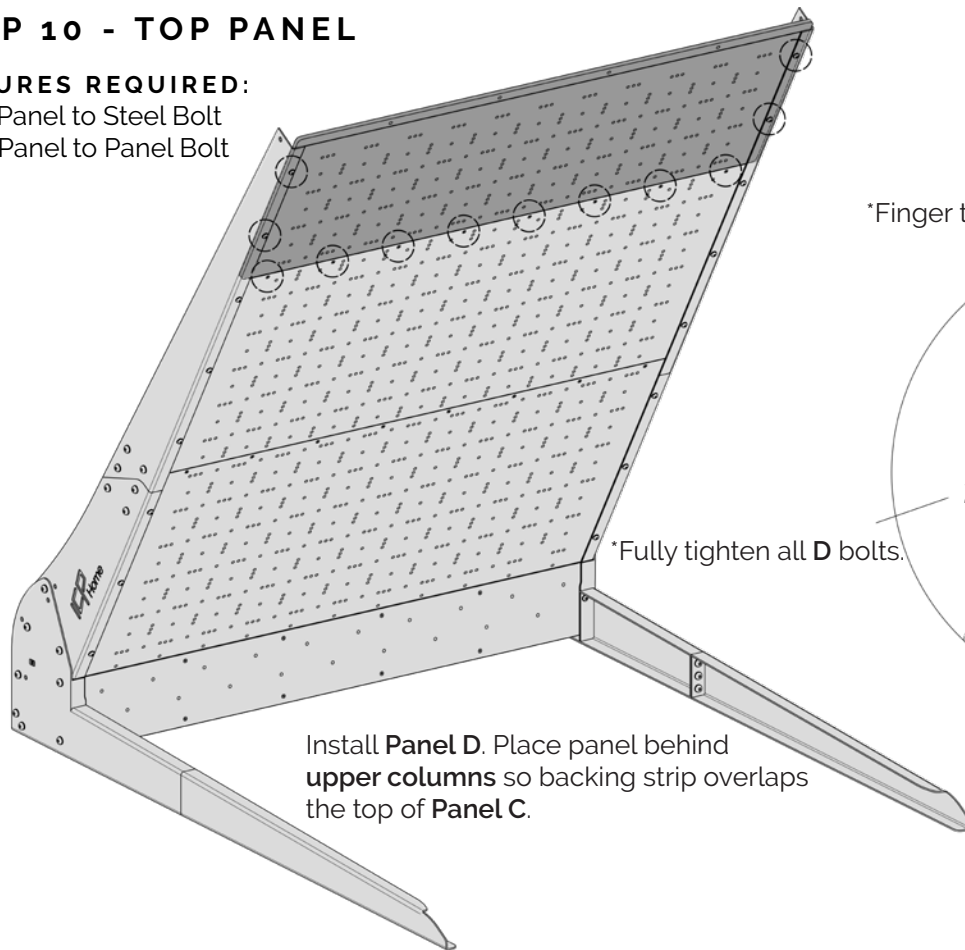
\*Fully tighten all **D** bolts.

## STEP 10 - TOP PANEL

### FIXTURES REQUIRED:

4x **B.** Panel to Steel Bolt

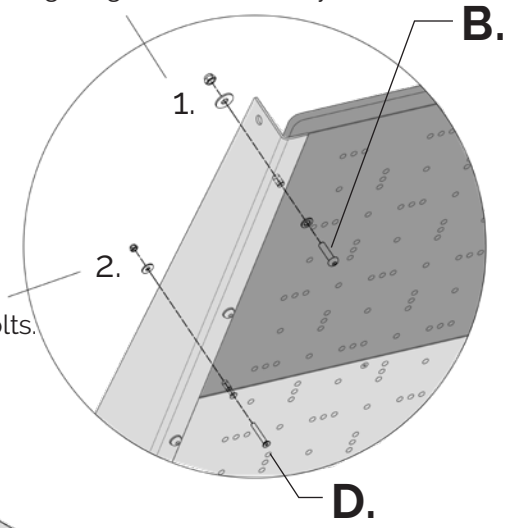
7x **D.** Panel to Panel Bolt



Install **Panel D.** Place panel behind **upper columns** so backing strip overlaps the top of **Panel C.**

\*Finger tighten **B** bolts only.

\*Fully tighten all **D** bolts.



**B.**

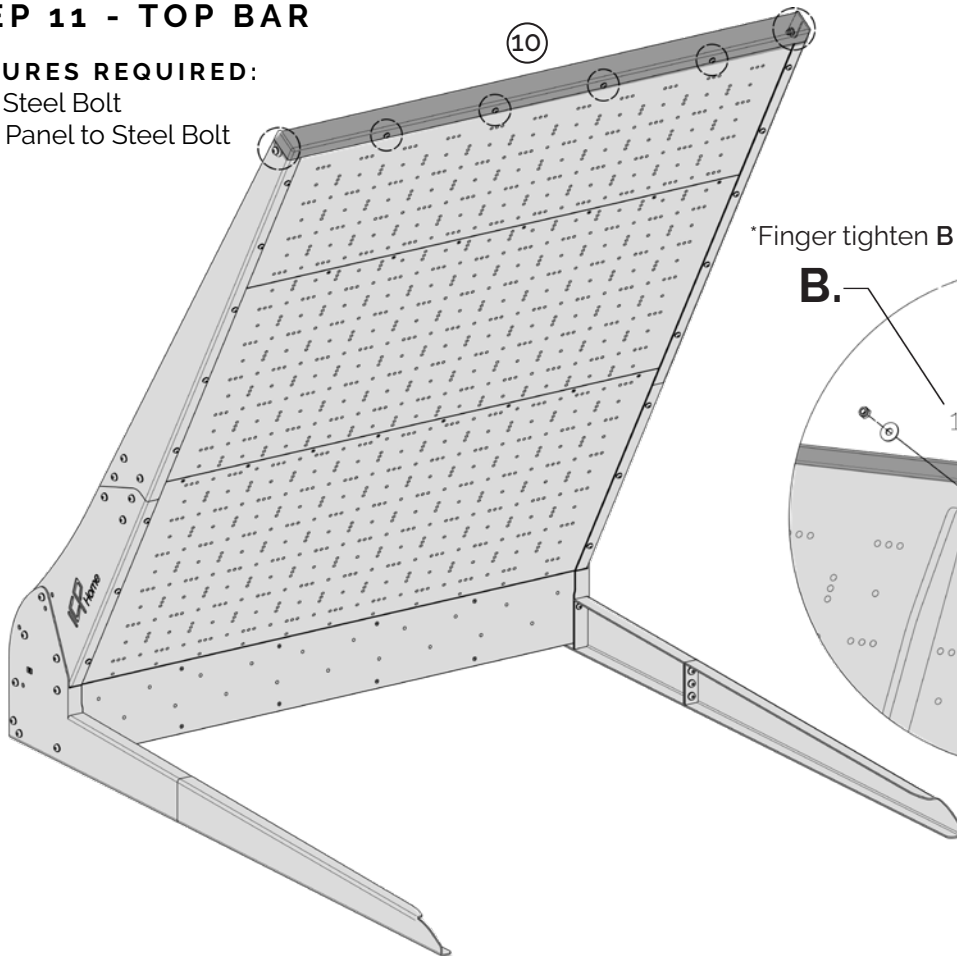
**D.**

## STEP 11 - TOP BAR

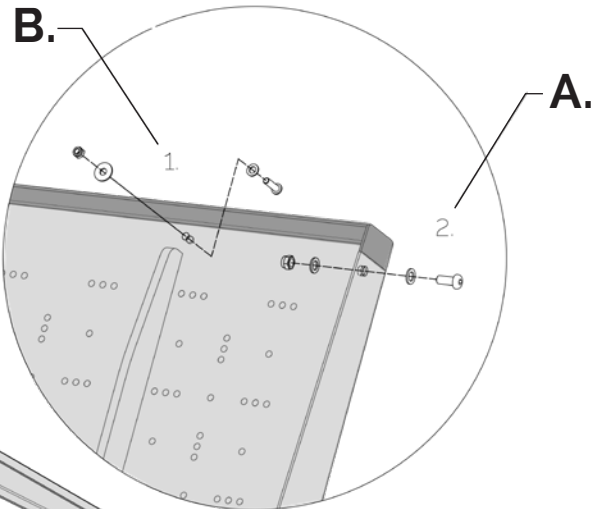
### FIXTURES REQUIRED:

2x **A.** Steel Bolt

4x **B.** Panel to Steel Bolt

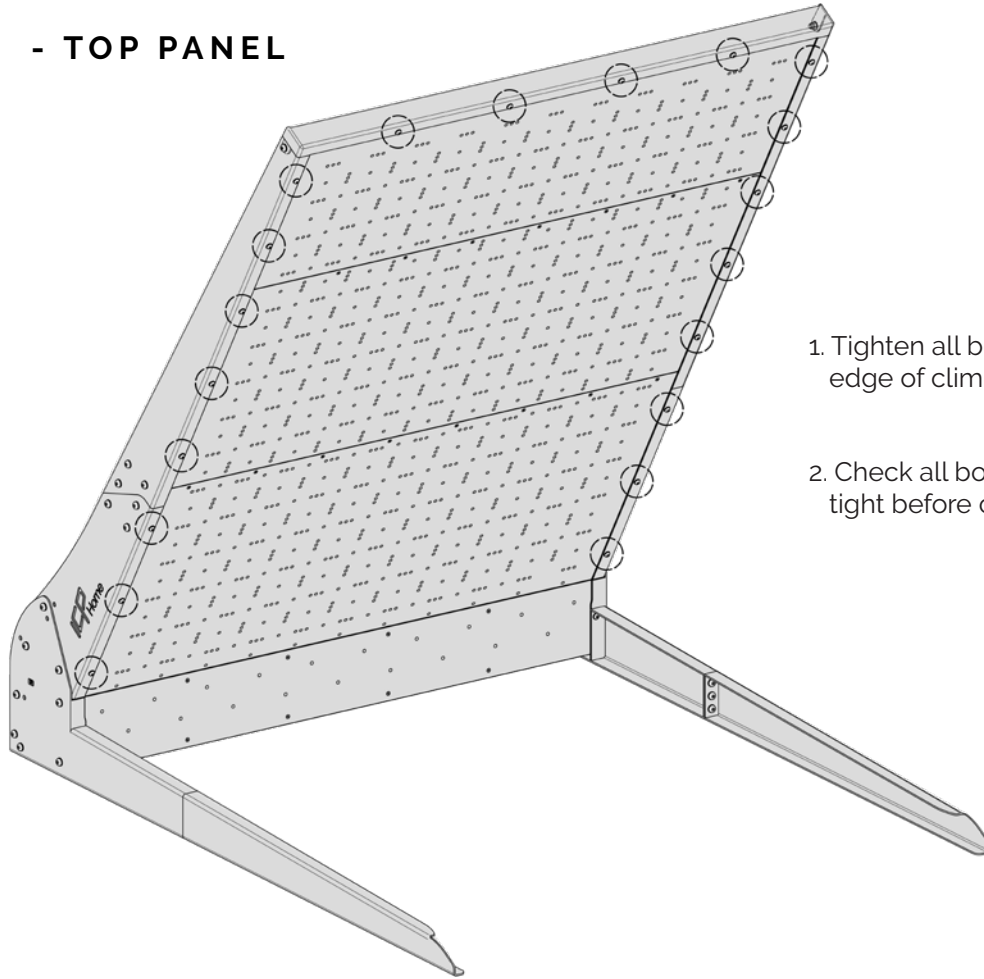


\*Finger tighten **B** bolts only.



\*Fully tighten all **A** bolts.

## STEP 12 - TOP PANEL



1. Tighten all bolts around edge of climbing surface.

2. Check all bolts are fastened tight before climbing!



## **WARRANTY INFORMATION**

### **Limited Warranty Covers**

Climb ICP declares and verifies the provision of a limited warranty for the ICP Home wall in accordance with the terms below:

Two (2) years warranty for the steel construction and the plywood panels. This limited warranty is valid for two (2) years for the strength of the plywood panels and metal construction as from the purchase date of the ICP Home within this period and only if the Instructions are strictly observed. In this period, Climb ICP agrees to replace or repair at Climb ICP's option any PART that fails to function in normal service. No other express warranty is given and no affirmation of Climb ICP, by words or action, will constitute a warranty. This Warranty is limited to defective parts replacement only. In a case where Climb ICP deems a PART to be defective, Climb ICP will replace or repair the PART. A third party without the written consent of Climb ICP shall not make any repairs. Climb ICP declares and verifies the provision of a warranty for the matting in accordance with the terms below: one (1) year warranty for the cover, join strips and foam.

### **This Limited Warranty Does Not Cover**

Inconsistencies of more than 5% of the surface of each plywood panel on the Wall; Breakage of panels or parts of the supporting structure Entity and strength of the anchoring points and of the supporting structure; and Foundations or building structures where the ICP Home may come in contract with while installed or used. Fixings, fasteners, T-nuts, tooling or personal protective equipment. General wear and tear. Variations and inconsistencies in artificial climbing hold colours.



Climbing Walls · Climbing Holds · Route Setting

[www.climbicp.com](http://www.climbicp.com)

© Climb ICP 2022